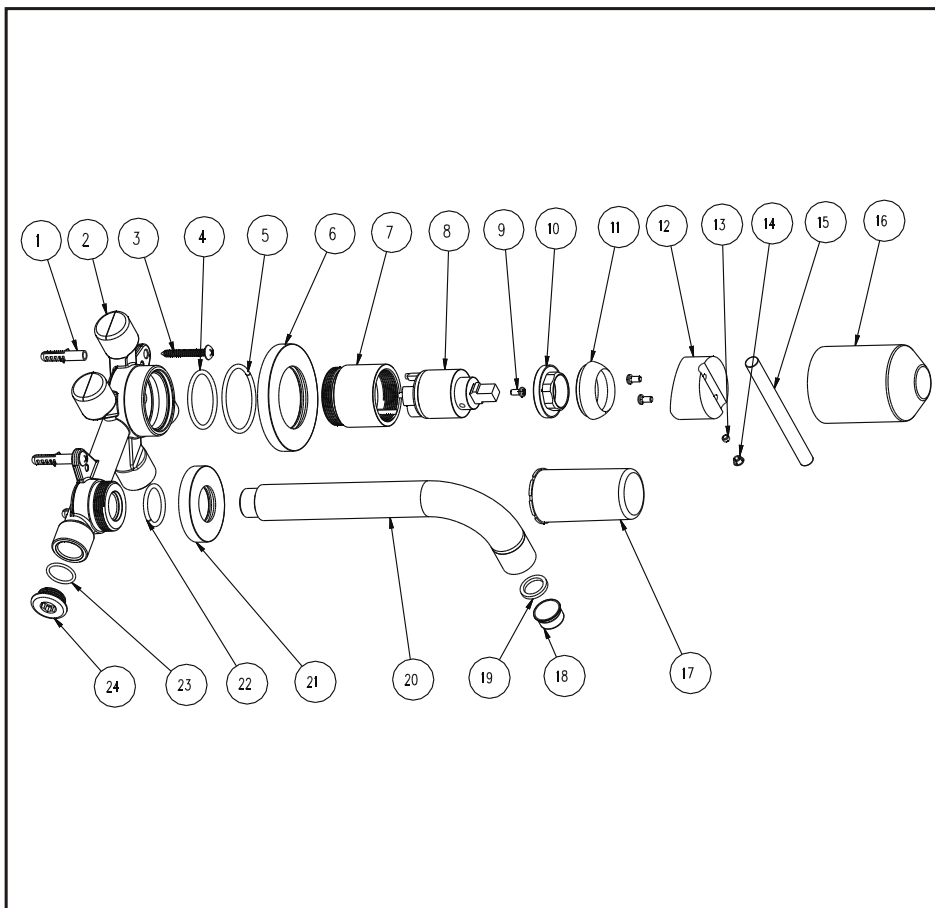


Wall mounted basin mixer

EB_FC005W

Installation Instruction

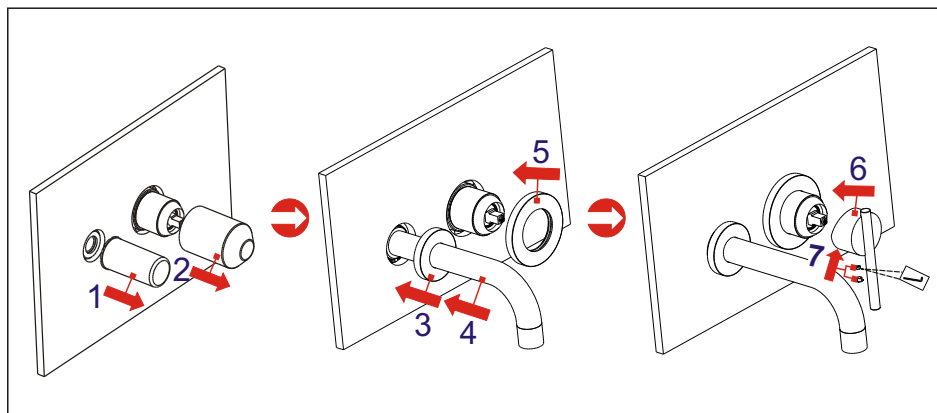
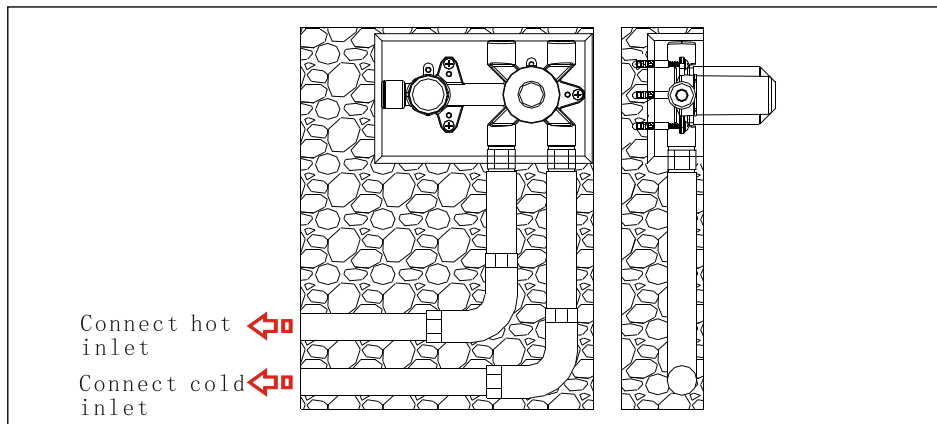
Please read this instruction carefully to avoid any difficulty during installation.



Components List

| No. | Component | Quantity |
|-----|--------------------------|----------|
| 01 | Plastic sleeve | 3 |
| 02 | Main body | 1 |
| 03 | Cross-head screw | 3 |
| 04 | O-ring | 1 |
| 05 | Sealing strip | 1 |
| 06 | Plate | 1 |
| 07 | Cover | 1 |
| 08 | Ceramic cartridge | 1 |
| 09 | Cross-head screw | 3 |
| 10 | Cartridge fastener | 1 |
| 11 | Cap | 1 |
| 12 | Handle cover | 1 |
| 13 | Female allen screw | 1 |
| 14 | Index | 1 |
| 15 | Handle | 1 |
| 16 | Safe cover for main body | 1 |
| 17 | Safe cover for diverter | 1 |
| 18 | Aerator core | 1 |
| 19 | Flat washer | 1 |
| 20 | Spout | 1 |
| 21 | Plate | 1 |
| 22 | Sealing strip | 1 |
| 23 | O-ring | 1 |
| 24 | Stopper | 1 |

Installation Step

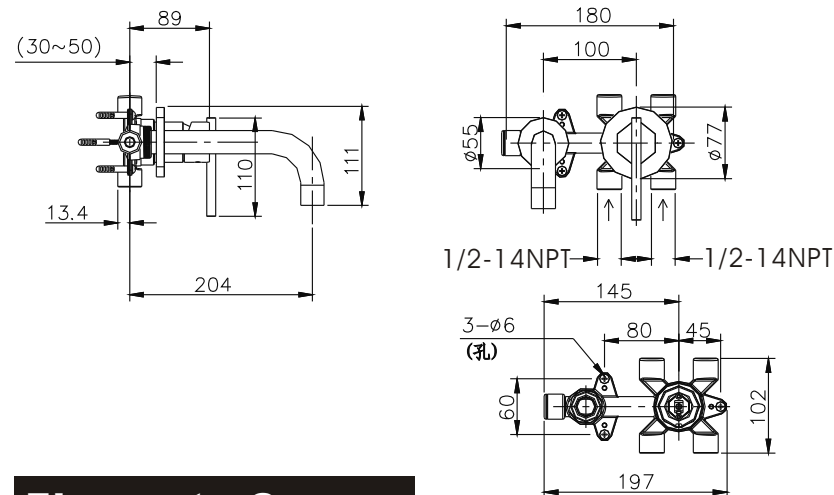


* See the fig for the position of the valve and inlet pipes.

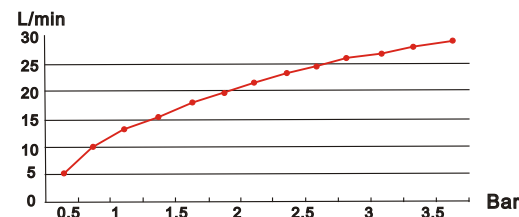
** Test:

Open the supply pipes, close the ceramic cartridge and check any leakage; open the ceramic cartridge and check the smooth water flow. Having tested, install the valve to the wall, take the safe cover apart and install the plate and handle.

Installation Fig



Flow rate Curves



Test pressure: 1.6MPa (16bar)

Flow pressure:

Min 0.05MPa

Max 1.60MPa

Recommended pressure:

0.1MPa to 0.8MPa (1 to 8 bar)

Note

- 1.Ensure proper cleaning of the water supply pipe before installation to avoid any jammed
- 2.The cold-water supply must be connected on the right and the hot-water supply must be connected to the left.
- 3.Check the installation dimensions according to the Figure and ensure it is installed correctly.
- 4.Hot-water inlet temperature must not be over 80°C.